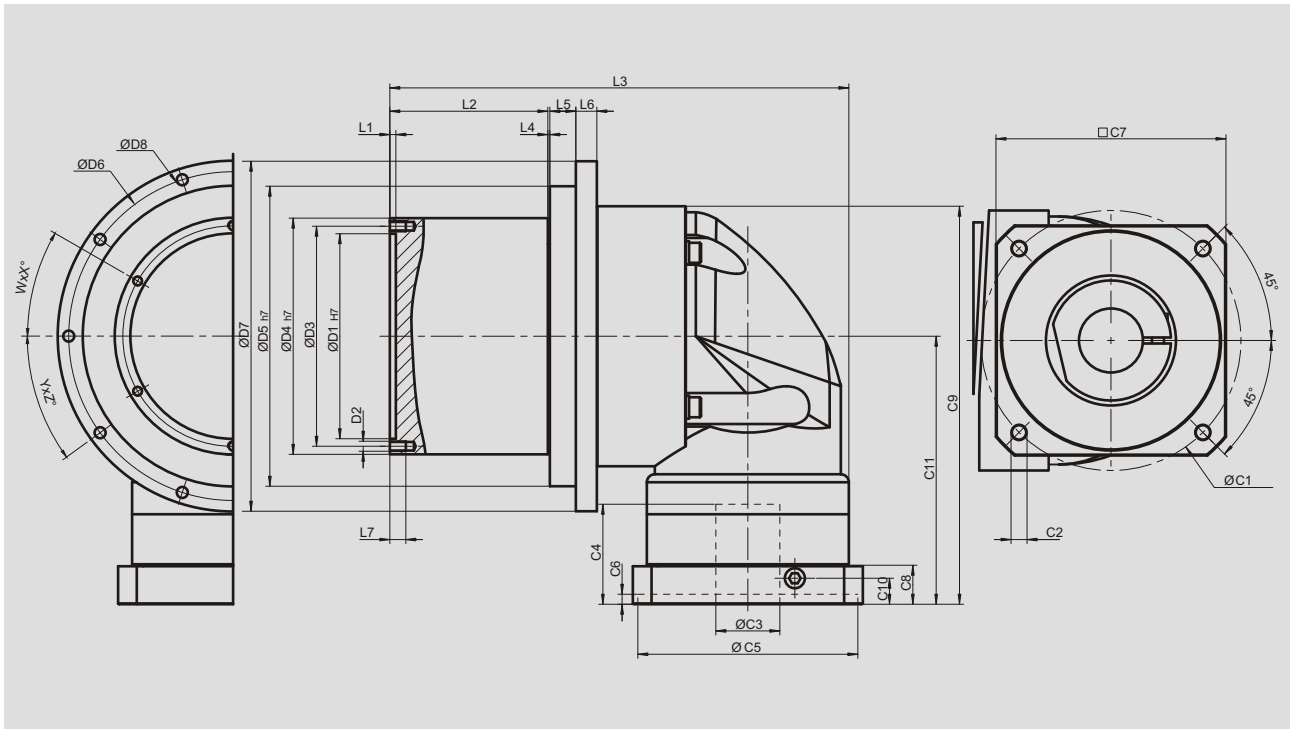


# ALR Series

## Dimensions (1-stage, Ratio $i=2\sim 10$ )

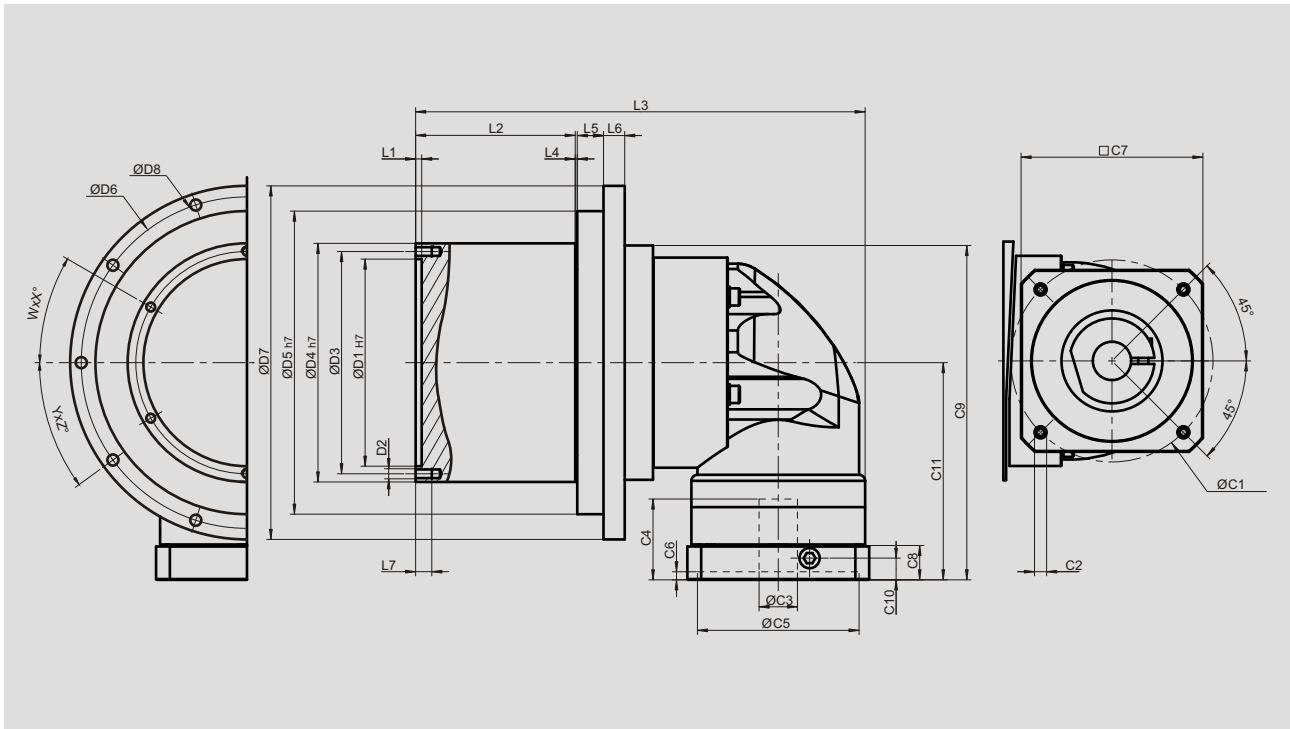


[unit: mm]

Dimension	ALR070	ALR095	ALR110	ALR150	ALR190	ALR230	ALR280
D1 <sub>H7</sub>	37.5	55.5	70.5	102.5	132.5	168.5	204.5
D2	M3 x 0.5P	M3 x 0.5P	M4 x 0.7P	M5 x 0.8P	M5 x 0.8P	M6 x 1P	M6 x 1P
D3	42	61.5	78.5	110	142.5	179	216
D4 <sub>H7</sub>	47.7	67.3	87.3	118.1	152.8	190	229.2
D5 <sub>H7</sub>	70	95	110	150	190	230	280
D6	80	108	124	164	208	246	296
D7	90	120	135	175	225	262	312
D8	4.5	5.5	5.5	5.5	9	9	9
L1	3	3	3	3	4	3	3
L2	36	55.5	60.5	79	94	115	116
L3	106.5	144	183.5	229.5	278	339.5	382.5
L4	0.5	0.5	0.5	1	1	1.5	1.5
L5	6	7	10	13	15	18	22
L6	6	7	7.5	10.5	12	15	18
L7	6	6	8	9	9	11	11
C1 <sup>4</sup>	46	70	100	130	165	215	235
C2 <sup>4</sup>	M4 x 0.7P	M5 x 0.8P	M6 x 1P	M8 x 1.25P	M10 x 1.5P	M12 x 1.75P	M12 x 1.75P
C3 <sup>4</sup>	≤11 / ≤12	≤14 / ≤16	≤19 / ≤24	≤32	≤38	≤48	≤55
C4 <sup>4</sup>	30	34	40	50	60	85	116
C5 <sup>4</sup>	30	50	80	110	130	180	200
C6 <sup>4</sup>	3.5	8	4	5	6	6	6
C7 <sup>4</sup>	48	60	90	115	142	190	220
C8 <sup>4</sup>	19.5	19	17	19.5	22.5	29	63
C9 <sup>4</sup>	100.5	116.5	159.5	199	245.5	316	398.5
C10 <sup>4</sup>	13.25	13.5	10.75	13	15	20.75	53.5
C11 <sup>4</sup>	74	81.5	107.5	134	164.5	213.5	268.5
W	6	8	8	8	12	12	12
X	60	45	45	45	30	30	30
Y	6	10	10	10	10	10	12
Z	60	36	36	36	36	36	30

4. C1-C11 are motor specific dimensions (metric std shown). Refer to [Apexdyna.com](http://Apexdyna.com) and design Tool to view your specific motor mounting system.

# Dimensions (2-stage, Ratio i=15~180)



[unit: mm]

Dimension	ALR070	ALR095	ALR110	ALR150	ALR190	ALR230	ALR280
D1 <sub>H7</sub>	37.5	55.5	70.5	102.5	132.5	168.5	204.5
D2	M3 x 0.5P	M3 x 0.5P	M4 x 0.7P	M5 x 0.8P	M5 x 0.8P	M6 x 1P	M6 x 1P
D3	42	61.5	78.5	110	142.5	179	216
D4 <sub>H7</sub>	47.7	67.3	87.3	118.1	152.8	190	229.2
D5 <sub>H7</sub>	70	95	110	150	190	230	280
D6	80	108	124	164	208	246	296
D7	90	120	135	175	225	262	312
D8	4.5	5.5	5.5	5.5	9	9	9
L1	3	3	3	3	4	3	3
L2	36	55.5	60.5	79	94	115	116
L3	122.5	141.5	164.5	222.5	266	327.5	374
L4	0.5	0.5	0.5	1	1	1.5	1.5
L5	6	7	10	13	15	18	22
L6	6	7	7.5	10.5	12	15	18
L7	6	6	8	9	9	11	11
C1 <sup>5</sup>	46	46	70	100	130	165	215
C2 <sup>5</sup>	M4 x 0.7P	M4 x 0.7P	M5 x 0.8P	M6 x 1P	M8 x 1.25P	M10 x 1.5P	M12 x 1.75P
C3 <sup>5</sup>	≤11 / ≤12	≤11 / ≤12	≤14 / ≤15.875 / ≤16	≤19 / ≤24	≤32	≤38	≤48
C4 <sup>5</sup>	30	30	34	40	50	60	85
C5 <sup>5</sup>	30	30	50	80	110	130	180
C6 <sup>5</sup>	3.5	3.5	8	4	5	6	6
C7 <sup>5</sup>	48	48	60	90	115	142	190
C8 <sup>5</sup>	19.5	19.5	19	17	19.5	22.5	29
C9 <sup>5</sup>	100.5	105	122.5	165.5	206.5	253.5	325.5
C10 <sup>5</sup>	13.25	13.25	13.5	10.75	13	15	20.75
C11 <sup>5</sup>	74	74	81.5	107.5	134	164.5	213.5
W	6	8	8	8	12	12	12
X	60	45	45	45	30	30	30
Y	6	10	10	10	10	10	12
Z	60	36	36	36	36	36	30

5. C1-C11 are motor specific dimensions (metric std shown). Refer to Apexdyna.com and Design Tool to view your specific motor mounting system.