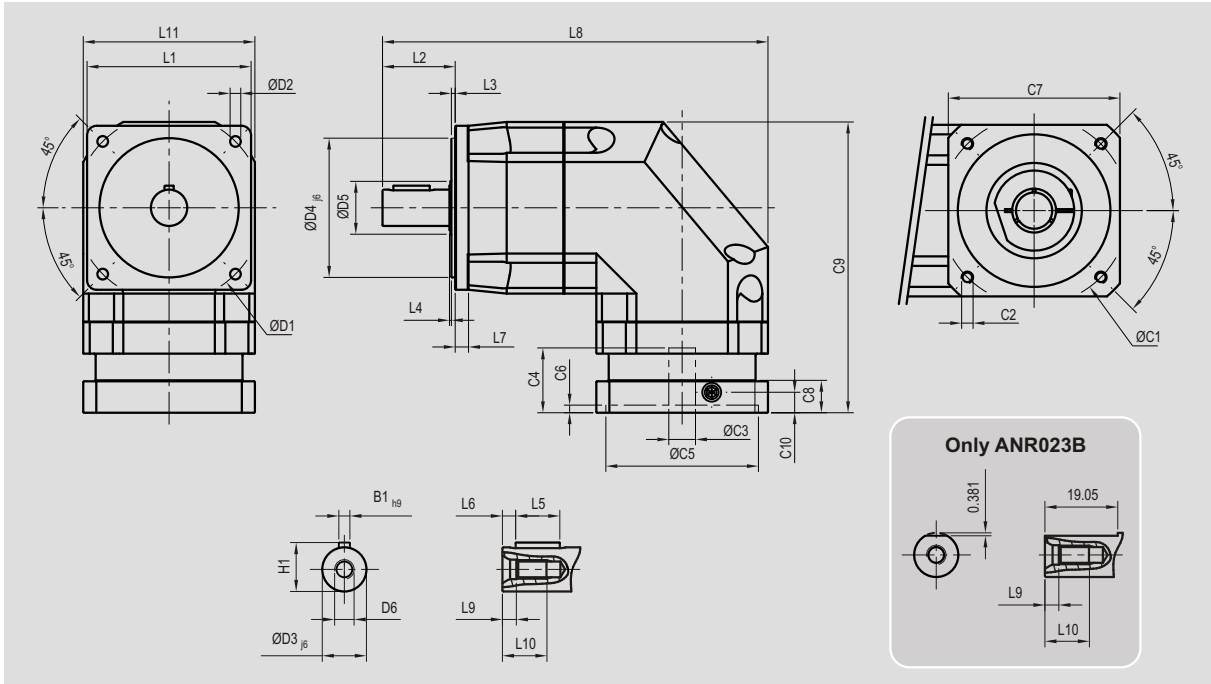


Dimensions (1-stage, Ratio i=5~20)



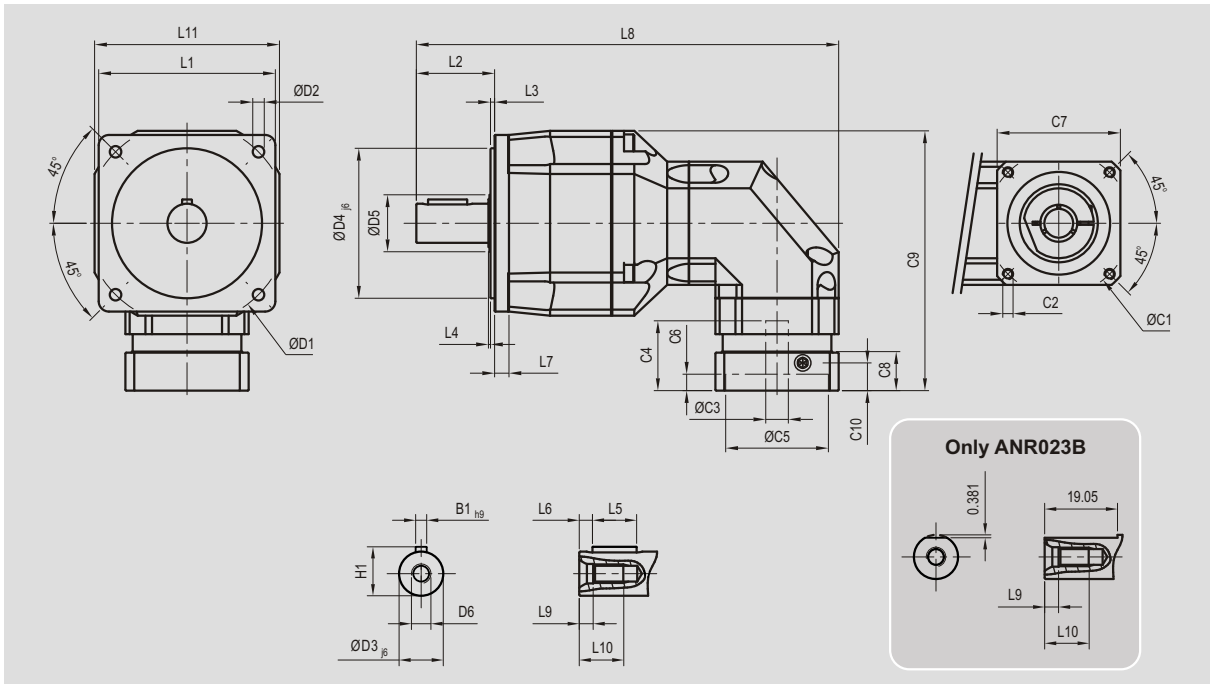
Unit: mm (inch)

Dimension	ANR023	ANR023B	ANR034	ANR034B
D1	66.675 (2.625)	66.675 (2.625)	98.425 (3.875)	98.425 (3.875)
D2	5.6	5.6	5.6	5.6
D3 _{j6}	12.7 (0.50)	9.525 (0.375)	19.05 (0.750)	12.7 (0.50)
D4 _{j6}	38.1 (1.50)	38.1 (1.50)	73.025 (2.875)	73.025 (2.875)
D5	22	22	30	30
D6	M5 x 0.8P	M4 x 0.7P	M8 x 1.25P	M5 x 0.8P
L1	60	60	86	86
L2	31.8 (1.252)	25.4 (1.00)	38.1 (1.50)	31.8 (1.252)
L3	2	2	2	2
L4	1	1	1	1
L5	19.05 (0.750)	-	19.05 (0.750)	19.05 (0.750)
L6	3.8 (0.150)	-	5.7 (0.224)	3.8 (0.150)
L7	6	6	7	7
L8	143.3	136.9	202.1	195.8
L9	4.8	4.5	7.2	4.8
L10	12.5	10	19	12.5
L11	60	60	90	90
C1 ⁴	66.675 (2.625)	66.675 (2.625)	98.425 (3.875)	98.425 (3.875)
C2 ⁴	M5 x 0.8P	M5 x 0.8P	M5 x 0.8P	M5 x 0.8P
C3 ⁴	≤14 / ≤16	≤14 / ≤16	≤19 / ≤24	≤19 / ≤24
C4 ⁴	40 (1.575)	40 (1.575)	40 (1.575)	40 (1.575)
C5 ⁴	38.15 (1.502)	38.15 (1.502)	73.08 (2.877)	73.08 (2.877)
C6 ⁴	4 (0.157)	4 (0.157)	4 (0.157)	4 (0.157)
C7 ⁴	58 (2.283)	58 (2.283)	85 (3.346)	85 (3.346)
C8 ⁴	25 (0.984)	25 (0.984)	17 (0.669)	17 (0.669)
C9 ⁴	117.5 (4.626)	117.5 (4.626)	152.5 (6.004)	152.5 (6.004)
C10 ⁴	19.5 (0.768)	19.5 (0.768)	10.75 (0.423)	10.75 (0.423)
B1 _{h9}	3.175 (0.125)	-	4.763 (0.188)	3.175 (0.125)
H1	14.125 (0.556)	-	21.113 (0.831)	14.125 (0.556)

4. C1-C10 are motor specific dimensions (nema std shown). Refer to Apexdyna.com and design Tool to view your specific motor mounting system.

ANR Series

Dimensions (2-stage, Ratio i=25,50,100,200)

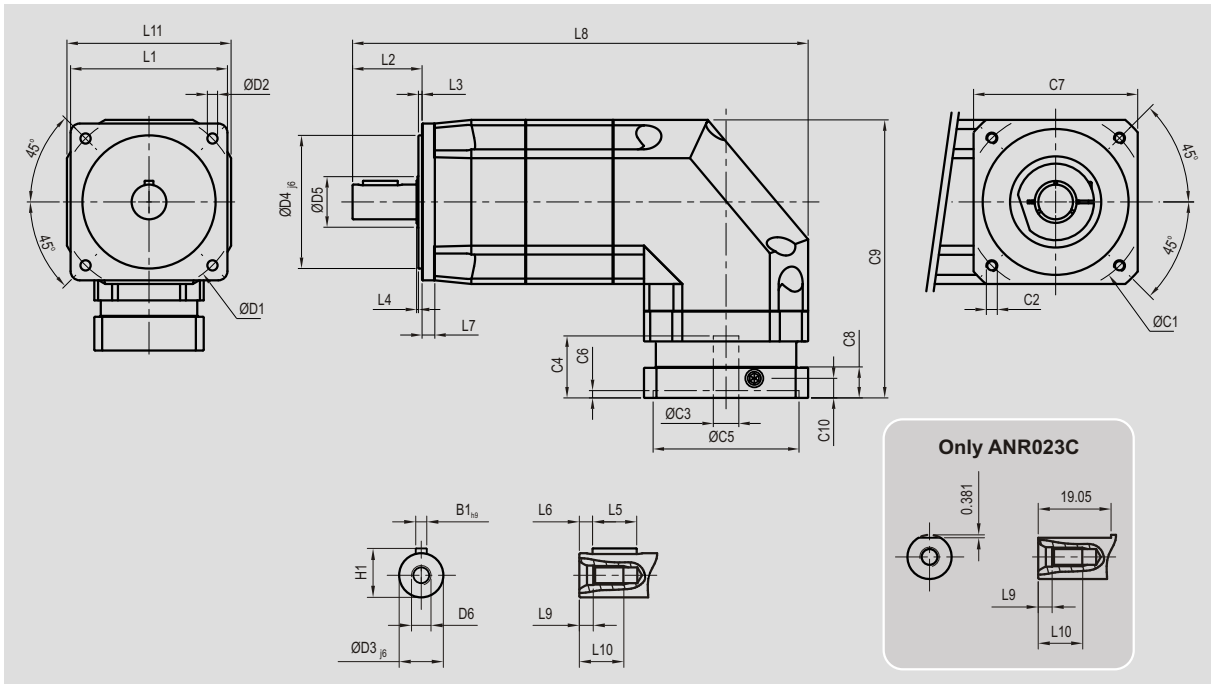


Unit: mm (inch)

Dimension	ANR023	ANR023B	ANR034	ANR034B
D1	66.675 (2.625)	66.675 (2.625)	98.425 (3.875)	98.425 (3.875)
D2	5.6	5.6	5.6	5.6
D3 _{j6}	12.7 (0.50)	9.525 (0.375)	19.05 (0.750)	12.7 (0.50)
D4 _{j6}	38.1 (1.50)	38.1 (1.50)	73.025 (2.875)	73.025 (2.875)
D5	22	22	30	30
D6	M5 x 0.8P	M4 x 0.7P	M8 x 1.25P	M5 x 0.8P
L1	60	60	86	86
L2	31.8 (1.252)	25.4 (1.00)	38.1 (1.50)	31.8 (1.252)
L3	2	2	2	2
L4	1	1	1	1
L5	19.05 (0.750)	-	19.05 (0.750)	19.05 (0.750)
L6	3.8 (0.150)	-	5.7 (0.224)	3.8 (0.150)
L7	6	6	7	7
L8	161.8	155.4	205.6	199.3
L9	4.8	4.5	7.2	4.8
L10	12.5	10	19	12.5
L11	60	60	90	90
C1 ⁵	66.675 (2.625)	66.675 (2.625)	66.675 (2.625)	66.675 (2.625)
C2 ⁵	M5 x 0.8P	M5 x 0.8P	M5 x 0.8P	M5 x 0.8P
C3 ⁵	≤11 / ≤12	≤11 / ≤12	≤14 / ≤16	≤14 / ≤16
C4 ⁵	32 (1.260)	32 (1.260)	40 (1.575)	40 (1.575)
C5 ⁵	38.15 (1.502)	38.15 (1.502)	38.15 (1.502)	38.15 (1.502)
C6 ⁵	3.5 (0.138)	3.5 (0.138)	4 (0.157)	4 (0.157)
C7 ⁵	55 (2.165)	55 (2.165)	58 (2.283)	58 (2.283)
C8 ⁵	36.5 (1.437)	36.5 (1.437)	25 (0.984)	25 (0.984)
C9 ⁵	106.5 (4.193)	106.5 (4.193)	132.5 (5.217)	132.5 (5.217)
C10 ⁵	15.75 (0.620)	15.75 (0.620)	19.5 (0.768)	19.5 (0.768)
B1 _{h9}	3.175 (0.125)	-	4.763 (0.188)	3.175 (0.125)
H1	14.125 (0.556)	-	21.113 (0.831)	14.125 (0.556)

5. C1-C10 are motor specific dimensions (nema std shown). Refer to Apexdyna.com and design Tool to view your specific motor mounting system.

Dimensions (2-stage, Ratio i=25,50,100,200)



Unit: mm (inch)

Dimension	ANR023A	ANR023C	ANR034A	ANR034C
D1	66.675 (2.625)	66.675 (2.625)	98.425 (3.875)	98.425 (3.875)
D2	5.6	5.6	5.6	5.6
D3 _{j6}	12.7 (0.50)	9.525 (0.375)	19.05 (0.750)	12.7 (0.50)
D4 _{j6}	38.1 (1.50)	38.1 (1.50)	73.025 (2.875)	73.025 (2.875)
D5	22	22	30	30
D6	M5 x 0.8P	M4 x 0.7P	M8 x 1.25P	M5 x 0.8P
L1	60	60	86	86
L2	31.8 (1.252)	25.4 (1.00)	38.1 (1.50)	31.8 (1.252)
L3	2	2	2	2
L4	1	1	1	1
L5	19.05 (0.750)	-	19.05 (0.750)	19.05 (0.750)
L6	3.8 (0.150)	-	5.7 (0.224)	3.8 (0.150)
L7	6	6	7	7
L8	180.3	173.9	205.1	243.8
L9	4.8	4.5	7.2	4.8
L10	12.5	10	19	12.5
L11	60	60	90	90
C1 ⁶	66.675 (2.625)	66.675 (2.625)	98.425 (3.875)	98.425 (3.875)
C2 ⁶	M5 x 0.8P	M5 x 0.8P	M5 x 0.8P	M5 x 0.8P
C3 ⁶	≤14 / ≤16	≤14 / ≤16	≤19 / ≤24	≤19 / ≤24
C4 ⁶	40 (1.575)	40 (1.575)	40 (1.575)	40 (1.575)
C5 ⁶	38.15 (1.502)	38.15 (1.502)	73.08 (2.877)	73.08 (2.877)
C6 ⁶	4 (0.157)	4 (0.157)	4 (0.157)	4 (0.157)
C7 ⁶	58 (2.283)	58 (2.283)	85 (3.346)	85 (3.346)
C8 ⁶	25 (0.984)	25 (0.984)	17 (0.669)	17 (0.669)
C9 ⁶	117.5 (4.626)	117.5 (4.626)	152.5 (6.004)	152.5 (6.004)
C10 ⁶	19.5 (0.768)	19.5 (0.768)	10.75 (0.423)	10.75 (0.423)
B1 _{h9}	3.175 (0.125)	-	4.763 (0.188)	3.175 (0.125)
H1	14.125 (0.556)	-	21.113 (0.831)	14.125 (0.556)

6. C1-C10 are motor specific dimensions (nema std shown). Refer to Apexdyna.com and design Tool to view your specific motor mounting system.