



APEX DYNAMICS, USA

First In Helical Technology...

1363-10 Lincoln Avenue
Holbrook, NY 11741
Tel: (631) 244-9040 Fax: (631) 244-9030

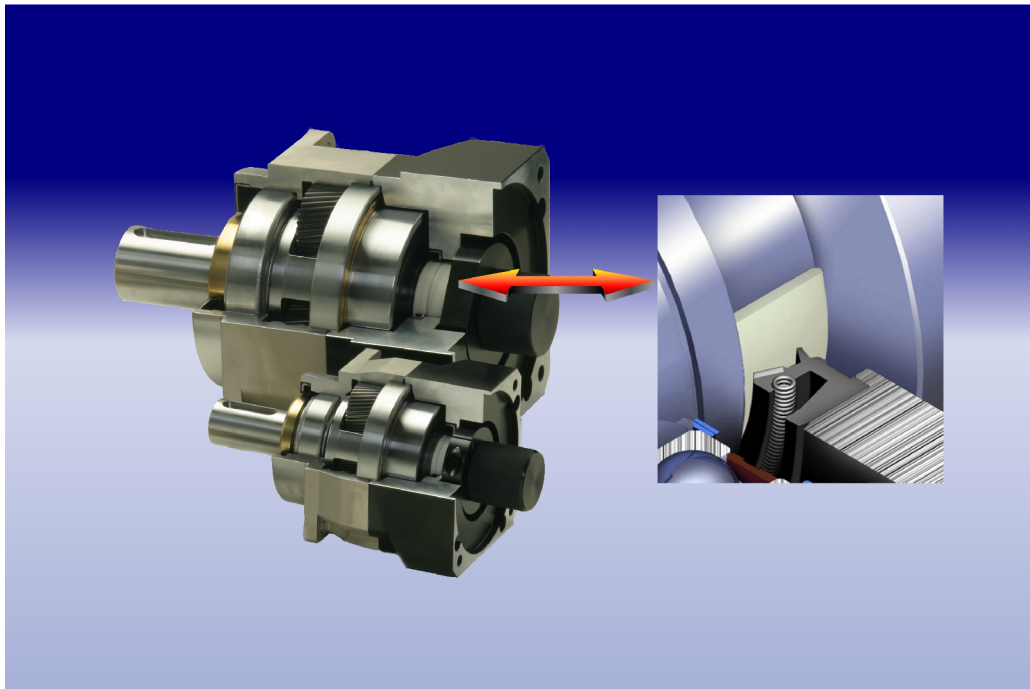
E-Mail: philshaw@apexdynamicsusa.com
Internet: www.apexdynamicsusa.com

NEWS RELEASE

For Immediate Release

Contact: Phil Shaw

Apex Dynamics USA Releases New Input Sealing Patent (#10/443,773)



Patented INPUT sealing system design eliminates breakaway torque and decreases friction/heat. The Hi-Tech Ceramic bushing (1700 Hv, Ra 0.2 micron finish) interfaces with our dual lip NBR Teflon tip seal, which decreases wear and erosion of both sealing surfaces. This new patent prevents leakage and has a service life of over 30,000 hours. 5-Year Warranty

The Most Productive Helical Planetary Gearhead Manufacturer in the World!

Please contact Phil Shaw

At Apex Dynamics USA for more information
(631) 244-9040 - (631) 244-9030 Fax